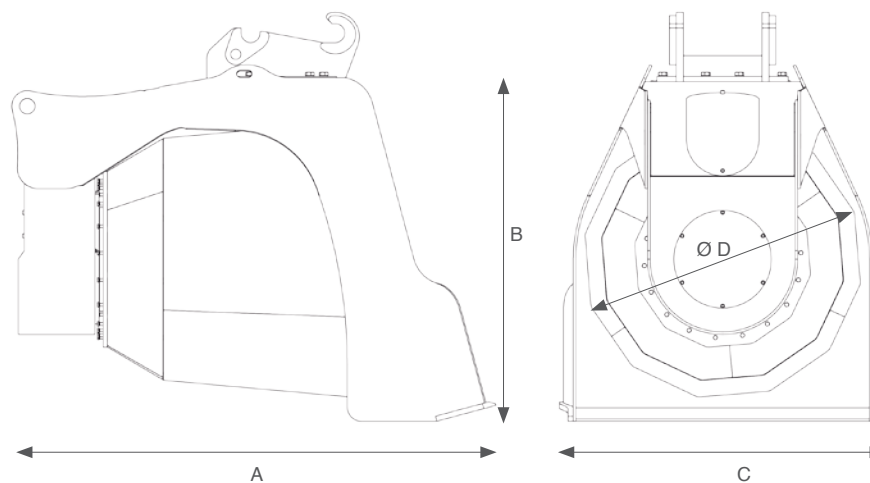


XS 20



TECHNICAL SPECIFICATIONS		XS20
Excavator size	Tons	18 to 25
Weight (without top plate)	kg	1.550
Operating pressure	MPa	20
Operating Flow	L/min	160 - 180
Ø trommel	mm	1.300
Trommel length	mm	1.230



	A	B	C	Ø D
XS20	2.500	1.700	1.610	1.300

XCENTRIC RIPPER INTERNATIONAL, S.L.

Arriurdina, 15 · 01015 Vitoria-Gasteiz (Spain) · Tel.: +34 945 290 555

www.xcentricripper.com